

**TECHNICAL PARAMETERS**

max. transfer rate	115 kBd
max. recommended line length	15 m
supported signals	RxD, TxD, RTS, CTS DSR, DTR, DCD, RI
optical indication	RxD, TxD
connector RS232c – PC	D-SUB 25 pin F
connector RS232c – DEVICE	D-SUB 25 pin M
optical isolation - optocoupler	2.5 kV
galvanical isolation – DC/DC	1 kV
overvoltage protection (soft) - mains	600W/1ms
power supply	+9 to 30V DC
power consumption	max 1.2W
dimension	91 x 22 x 54 mm

**CONDITIONS OF WARRANTY**

ComErgon Ltd. provides full warranty of 12 month for serial interface module MINI 4.0/232i starting on the day of purchase.

The warranty is except for the cases in which the functioning of the module has been affected by faulty manipulation, natural catastrophes or other external factors.

**MINI 4.0/232i**  
**RS232c isolator**  
supports full RS232c

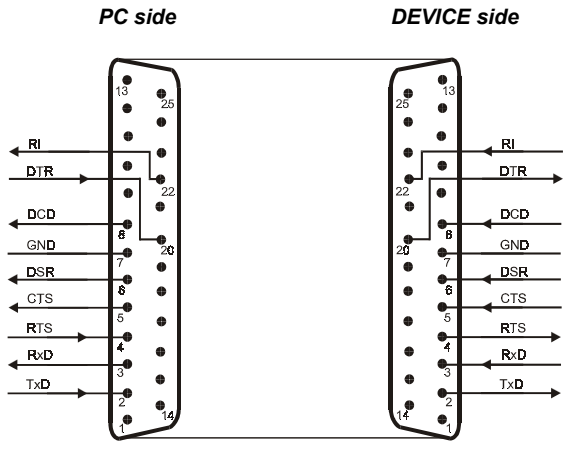


tel.: +421-2- 4445 8783  
tel./ fax.: +421-2- 4425 9006

Pionierska 15, 831 02 Bratislava  
Slovak Republic

e-mail: [service@comergon.sk](mailto:service@comergon.sk)  
http: [www.comergon.sk](http://www.comergon.sk)

**INPUT AND OUTPUT CONNECTOR**



**LAYOUT OF CONNECTORS**

